

DATA SHEET

P82B96

Dual bi-directional bus buffer

Product data
Supersedes data of 2001 Mar 06

2003 Feb 20

Dual bi-directional bus buffer

P82B96

FEATURES

- Dual Interface handles both SCL and SDA signals
- Bi-directional data transfer
- Splits I²C signal into forward/reverse Tx, Ty, Rx and Ry signals
- Low power supply current
- Wide supply voltage range (I²C logic levels at Sx Sy independent of IC supply voltage)
- Inhibits data transfer (releases bus) if supply fails.
- Supports 100 kHz clock speed on short busses
- System speeds to 400 kHz where delays permit
- EDS protection exceeds 3500 V HBM per JESD22-A114 and 1000 V CDM per JESD22-C101
- Latch-up free by design

TYPICAL INTERFACES

- Provides interface between I²C busses operating at different logic levels (e.g., 5 V and 3 V)
- Provides interface between I²C and SMB (350 μ A) bus standard.
- Simple conversion of I²C SDA or SCL signals to multi-drop differential bus hardware, e.g., via compatible PCA82C250.
- Interfaces with Opto-couplers to provide Opto isolation between I²C bus nodes.

DESCRIPTION

The P82B96 is a bipolar IC which creates a non-latching, bi-directional, logic interface between the normal I²C bus and a range of other bus configurations. It can interface I²C bus logic signals to similar busses having different voltage and current levels.

For example it can interface to the 350 μ A SMB bus, to 3.3 V logic devices, and to 15 V levels and/or low impedance lines to improve noise immunity on longer bus lengths.

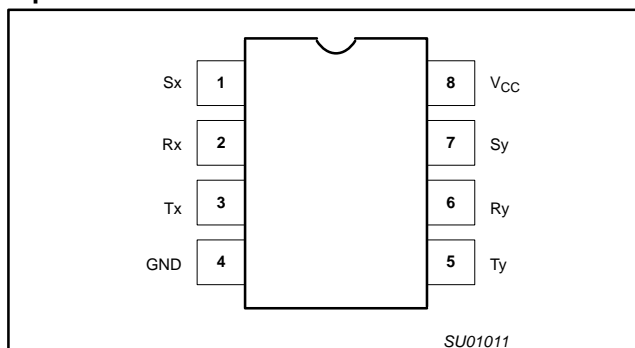
It achieves this interface without any restrictions on the normal I²C protocols or 100 kHz clock speed. The IC adds minimal loading to the I²C node, and loadings of the new bus or remote I²C nodes are not transmitted or transformed to the local node. Restrictions on the number of I²C devices in a system, or the physical separation between them, are virtually eliminated. Transmitting SDA/SCL signals via balanced transmission lines (twisted pairs) or with galvanic isolation (opto-coupling) is simple because separate directional Tx and Rx signals are provided. The Tx and Rx signals may be directly connected, without causing latching, to provide an alternative bi-directional signal line with I²C properties.

ORDERING INFORMATION

TYPE NUMBER	PACKAGE		
	NAME	DESCRIPTION	VERSION
P82B96PN	DIP8	plastic dual in-line package; 8 leads (300 mil)	SOT97-1
P82B96TD	SO8	plastic small outline package; 8 leads; body width 3.9 mm	SOT96-1

PIN CONFIGURATIONS

8-pin dual in-line or SO



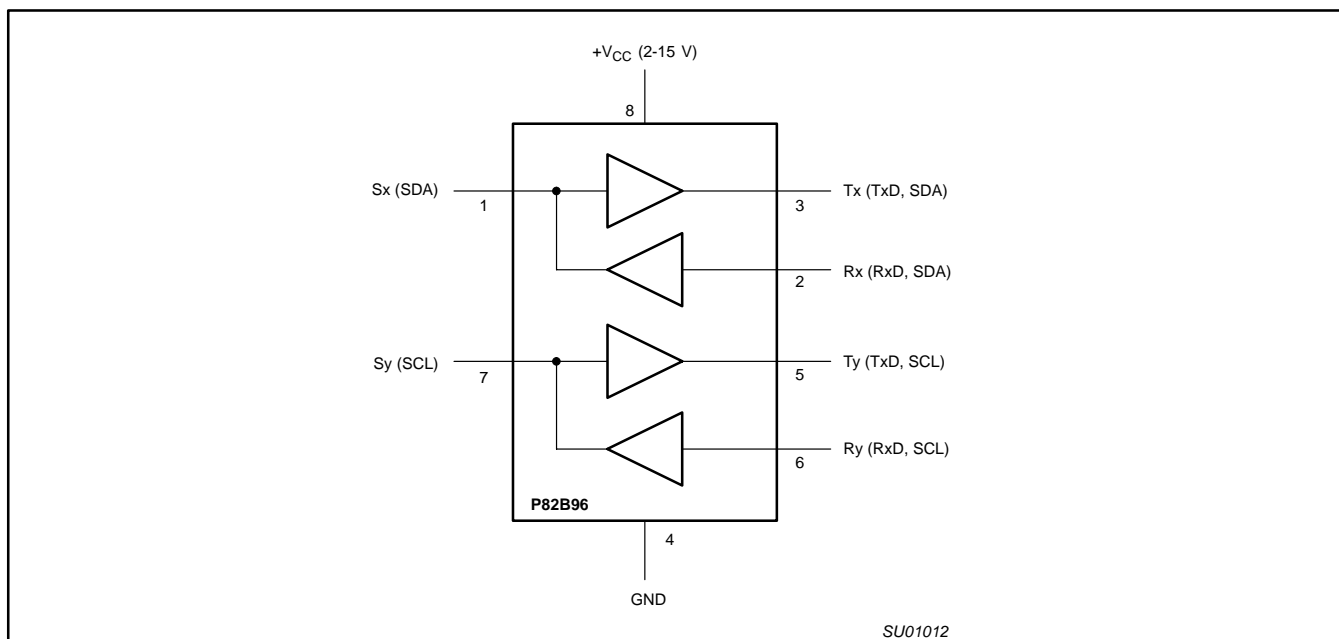
PINNING

SYMBOL	PIN	DESCRIPTION
Sx	1	I ² C Bus (SDA or SCL)
Rx	2	Receive signal
Tx	3	Transmit signal
GND	4	Negative Supply
Ty	5	Transmit signal
Ry	6	Receive signal
Sy	7	I ² C Bus (SDA or SCL)
V _{CC}	8	Positive supply

Dual bi-directional bus buffer

P82B96

BLOCK DIAGRAM



FUNCTIONAL DESCRIPTION

The P82B96 has two identical buffers allowing buffering of both of the I²C (SDA and SCL) signals. Each buffer is made up of two logic signal paths, a forward path from the I²C interface pin which drives the buffered bus, and a reverse signal path from the buffered bus input to drive the I²C bus interface.

Thus these paths are:

1. Sense the voltage state of the I²C pin Sx (or Sy) and transmit this state to the pin Tx (Ty resp.), and
2. Sense the state of the pin Rx (Ry) and pull the I²C pin low whenever Rx (Ry) is low.

The rest of this discussion will address only the "x" side of the buffer: the "y" side is identical.

The I²C pin (Sx) is designed to interface with a normal I²C bus.

The logic threshold voltage levels on the I²C bus are independent of the IC supply V_{CC}. The maximum I²C bus supply voltage is 15 V and the guaranteed static sink current is 3 mA.

The logic level of Rx is determined from the power supply voltage V_{CC} of the chip. Logic LOW is below 42 % of V_{CC} and logic HIGH is above 58 % of V_{CC}: with a typical switching threshold of half V_{CC}.

Tx is an open collector output without ESD protection diodes to V_{CC}. It may be connected via a pull-up resistor to a supply voltage in excess of V_{CC}, as long as the 15 V rating is not exceeded. It has a larger current sinking capability than a normal I²C device, being able to sink a static current of greater than 30 mA, and typical 100 mA dynamic pull-down capability as well.

A logic LOW is only transmitted to Tx when the voltage at the I²C pin (Sx) is below 0.6 V. A logic LOW at Rx will cause the I²C bus (Sx) to be pulled to a logic LOW level in accordance with I²C requirements (max. 1.5 V in 5 V applications) but not low enough to be looped back to the Tx output and cause the buffer to latch low.

The minimum LOW level this chip can achieve on the I²C bus by a LOW at Rx is typically 0.8 V.

If the supply voltage V_{CC} fails then neither the I²C nor the Tx output will be held low. Their open collector configuration allows them to be pulled up to the rated maximum of 15 V even without V_{CC} present. The input configuration on Sx and Rx also present no loading of external signals even when V_{CC} is not present.

Dual bi-directional bus buffer

P82B96

MAXIMUM RATINGS

In accordance with the Absolute Maximum Rating System (IEC 134).

Voltages with respect to pin GND (pin 4).

SYMBOL	PARAMETER	MIN.	MAX.	UNIT
V_{CC} to GND	Supply voltage range V_{CC}	-0.3	+18	V
V_{bus}	Voltage range on I ² C Bus, SDA or SCL	-0.3	+18	V
V_{Tx}	Voltage range on buffered output	-0.3	+18	V
V_{Rx}	Voltage range on receive input	-0.3	+18	V
I	DC current (any pin)	—	250	mA
R_{tot}	Power dissipation	—	300	mW
T_{stg}	Storage temperature range	-55	+125	°C
T_{amb}	Operating ambient temperature range	-40	+85	°C

CHARACTERISTICSAt $T_{amb} = 25\text{ °C}$; Voltages are specified with respect to GND with $V_{CC} = 5\text{ V}$ unless otherwise stated.

SYMBOL	PARAMETER	MIN.	TYP.	MAX.	UNIT
Power Supply					
V_{CC}	Supply voltage (operating)	2.0	—	15	V
I_{CC}	Supply current, busses HIGH	—	0.9	1.8	mA
I_{CC}	Supply current at $V_{CC} = 15\text{ V}$, busses HIGH	—	1.1	2.5	mA
I_{CC}	Additional supply current per Tx or Ty LOW	—	1.7	3.5	mA
Bus pull-up (load) voltages and currents					
V_{Sx}, V_{Sy}	Maximum input/output voltage level Open collector I ² C bus and $V_{Rx}, V_{Ry} = \text{HIGH}$	—	—	15	V
I_{Sx}, I_{Sy}	Static output loading on I ² C bus $V_{Sx}, V_{Sy} = 1.2\text{ V}$ $V_{Rx}, V_{Ry} = \text{LOW}$	0.2	—	3	mA
I_{Sx}, I_{Sy}	Dynamic output sink capability on I ² C bus $V_{Sx}, V_{Sy} > 2\text{ V}$ $V_{Rx}, V_{Ry} = \text{LOW}$	7	18	—	mA
I_{Sx}, I_{Sy}	Leakage current on I ² C bus $V_{Sx}, V_{Sy} = 5\text{ V}$, and $V_{Rx}, V_{Ry} = \text{HIGH}$	—	—	1	μA
I_{Sx}, I_{Sy}	Leakage current on I ² C bus $V_{Sx}, V_{Sy} = 15\text{ V}$, and $V_{Rx}, V_{Ry} = \text{HIGH}$	—	1	—	μA
V_{Tx}, V_{Ty}	Maximum output voltage level Open collector	—	—	15	V
I_{Tx}, I_{Ty}	Static output loading on buffered bus $V_{Tx}, V_{Ty} = 0.4\text{ V}$ $V_{Sx}, V_{Sy} = \text{LOW}$ on I ² C bus = 0.4V	—	—	30	mA
I_{Tx}, I_{Ty}	Dynamic output sink capability, buffered bus: $V_{Tx}, V_{Ty} > 1\text{ V}$ $V_{Sx}, V_{Sy} = \text{LOW}$ on I ² C bus = 0.4V	60	100	—	mA
I_{Tx}, I_{Ty}	Leakage current on buffered bus $V_{Tx}, V_{Ty} = V_{CC} = 15\text{ V}$, and $V_{Sx}, V_{Sy} = \text{HIGH}$	—	1	—	μA

Dual bi-directional bus buffer

P82B96

SYMBOL	PARAMETER	MIN.	TYP.	MAX.	UNIT
Input Currents					
I_{Sx}, I_{Sy}	Input current from I ² C bus, bus LOW $V_{Rx}, V_{Ry} = \text{HIGH}$	—	-1	—	μA
I_{Rx}, I_{Ry}	Input current from buffered bus, bus LOW $V_{Rx}, V_{Ry} = 0.4 \text{ V}$	—	-1	—	μA
I_{Rx}, I_{Ry}	Leakage current on buffered bus input $V_{Rx}, V_{Ry} = V_{CC}$	—	1	—	μA
Input Thresholds					
V_{Sx}, V_{Sy}	Output logic level LOW, on normal I ² C bus $I_{Sx}, I_{Sy} = 3 \text{ mA}$	0.8	0.9	1.0	V
V_{Sx}, V_{Sy}	Output logic level LOW, on normal I ² C bus $I_{Sx}, I_{Sy} = 0.2 \text{ mA}$	—	750	—	mV
V_{Sx}, V_{Sy}	Input logic level LOW threshold On normal I ² C bus	600	650	—	mV
$dV_{Sx}/dT, dV_{Sy}/dT$	Temperature coefficient of thresholds	—	-2	—	mV/K
V_{Rx}, V_{Ry}	Input logic HIGH level Fraction of applied V_{CC}	0.58	—	—	
V_{Rx}, V_{Ry}	Input threshold Fraction of applied V_{CC}	—	0.5	—	
V_{Rx}, V_{Ry}	Input logic LOW level Fraction of applied V_{CC}	—	—	0.42	
Bus Release on V_{CC} Failure					
$V_{Sx}, V_{Sy}, V_{Tx}, V_{Ty}$	V_{CC} voltage at which all busses are guaranteed to be released	—	—	1	V
dV/dT	Temperature coefficient of guaranteed release voltage	—	-4	—	mV/K
Buffer response time					
$T_{\text{fall delay}}$ V_{Sx} to V_{Tx} V_{Sy} to V_{Ty}	Buffer time delay on FALLING input between V_{Sx} = input switching threshold: and V_{Tx} output falling 50%. R_{Tx} pull up = 160 Ω , no capacitive load, $V_{CC} = 5 \text{ V}$	—	100	—	ns
$T_{\text{rise delay}}$ V_{Sx} to V_{Tx} V_{Sy} to V_{Ty}	Buffer time delay on RISING input between V_{Sx} = input switching threshold, and V_{Tx} output reaching 50%. R_{Tx} pull up = 160 Ω , no capacitive load, $V_{CC} = 5 \text{ V}$	—	100	—	ns
$T_{\text{fall delay}}$ V_{Rx} to V_{Sx} V_{Ry} to V_{Sy}	Buffer time delay on FALLING input between V_{Rx} = input switching threshold, and V_{Sx} output falling 50%. R_{Sx} pull up = 1600 Ω , no capacitive load, $V_{CC} = 5 \text{ V}$	—	300	—	ns
$T_{\text{rise delay}}$ V_{Rx} to V_{Sx} V_{Ry} to V_{Sy}	Buffer time delay on RISING input between V_{Rx} = input switching threshold, and V_{Sx} output reaching 50%. R_{Sx} pull up = 1600 Ω , no capacitive load, $V_{CC} = 5 \text{ V}$	—	300	—	ns

Dual bi-directional bus buffer

P82B96

TYPICAL APPLICATIONS

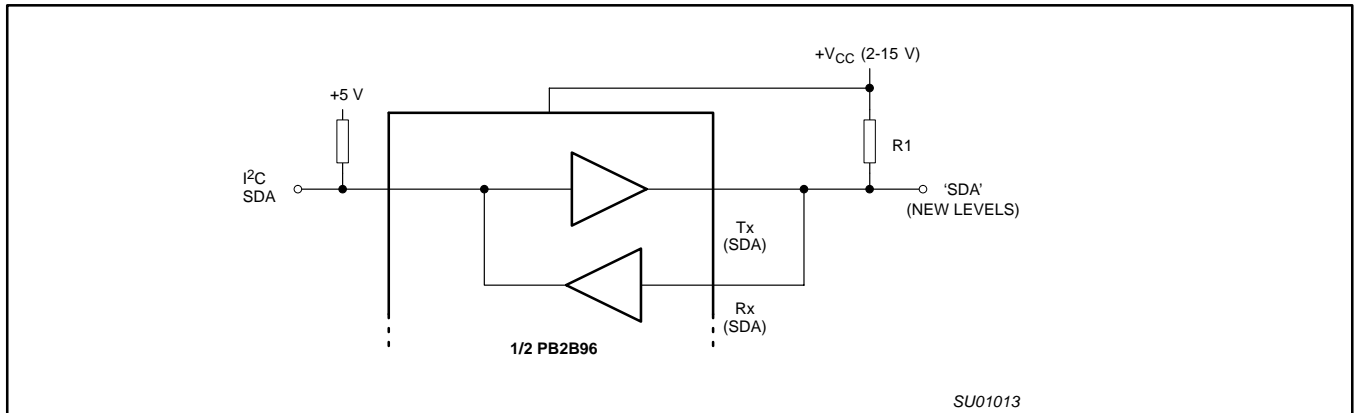


Figure 1. Interfacing an 'I²C' type of bus with different logic levels.

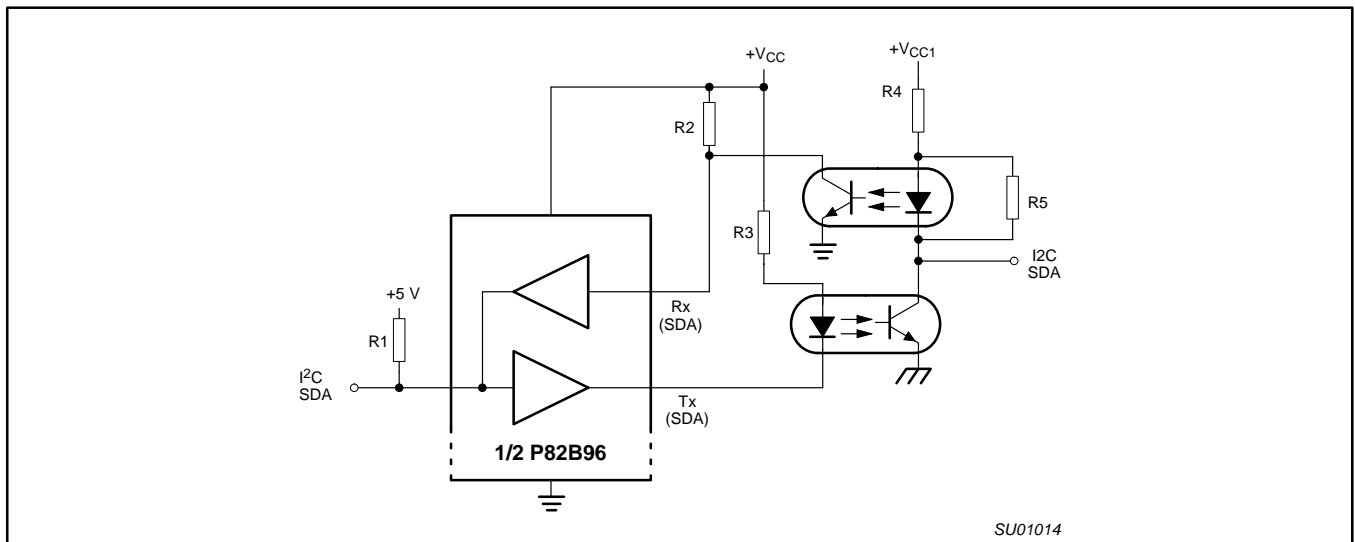


Figure 2. Galvanic isolation of I²C nodes via opto-couplers
(See AN460 and AN255 for more application detail.)

Dual bi-directional bus buffer

P82B96

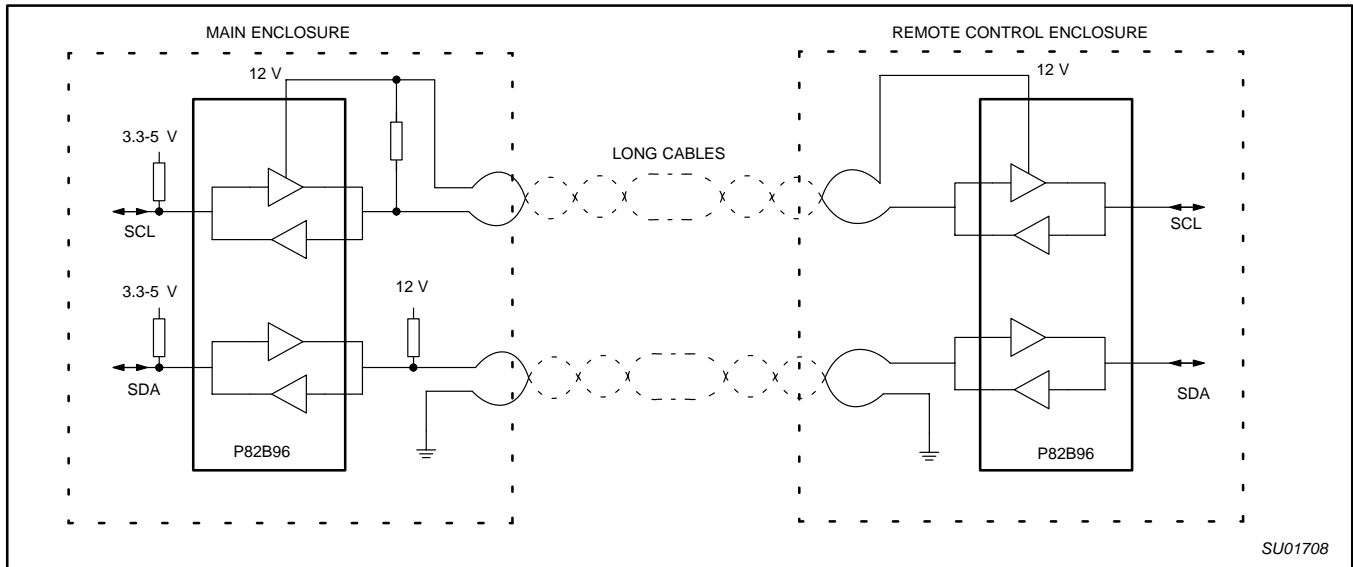


Figure 3. Long distance I²C communications

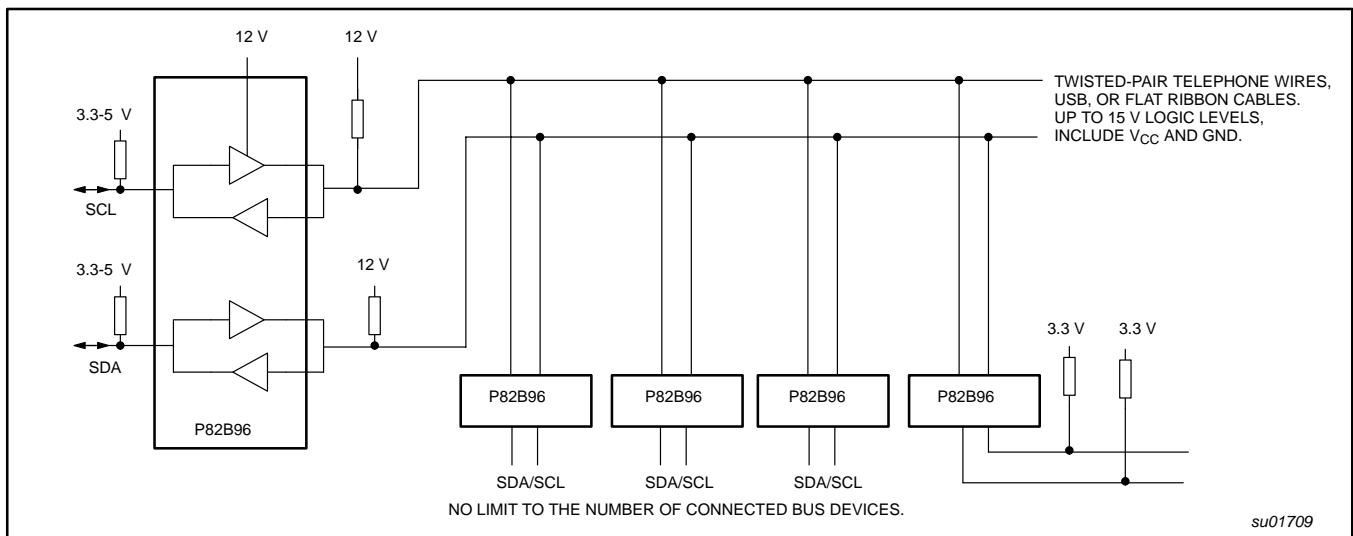


Figure 4. I²C multi-point applications

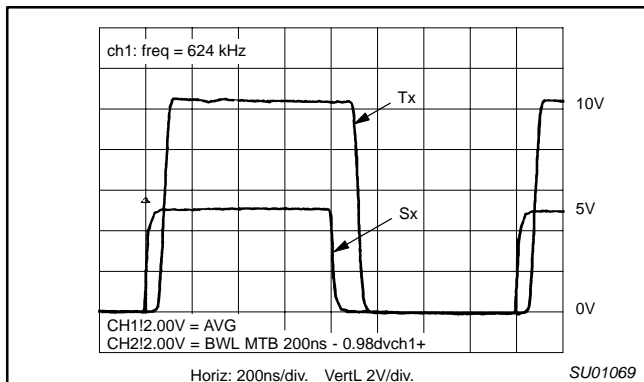


Figure 5. Propagation Sx to Tx — Sx pull-up to 5V, Tx pull-up to V_{CC} = 10 V

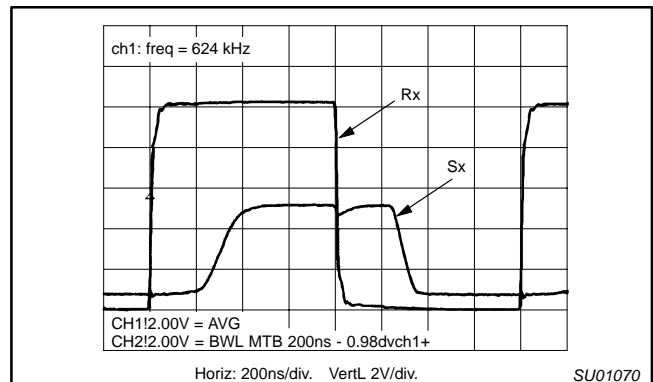


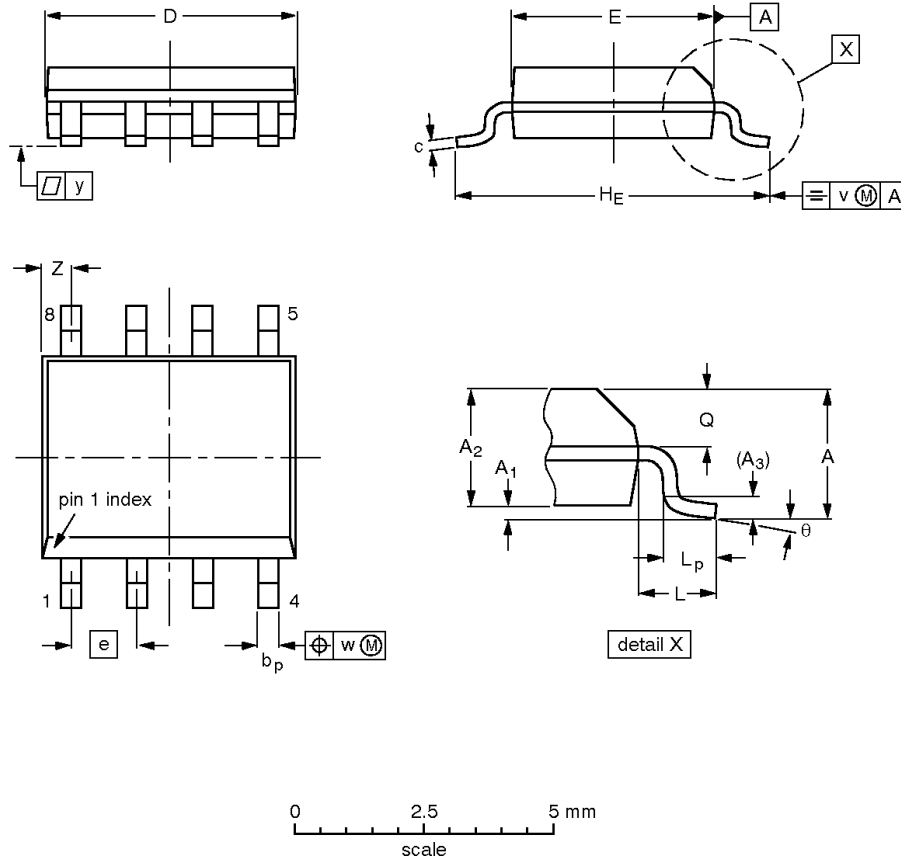
Figure 6. Propagation Rx to Sx — Sx pull-up to 5V, Rx pull-up to V_{CC} = 10 V

Dual bi-directional bus buffer

P82B96

SO8: plastic small outline package; 8 leads; body width 3.9 mm

SOT96-1



DIMENSIONS (inch dimensions are derived from the original mm dimensions)

UNIT	A max.	A ₁	A ₂	A ₃	b _p	c	D ⁽¹⁾	E ⁽²⁾	e	H _E	L	L _p	Q	v	w	y	Z ⁽¹⁾	θ
mm	1.75	0.25 0.10	1.45 1.25	0.25	0.49 0.36	0.25 0.19	5.0 4.8	4.0 3.8	1.27	6.2 5.8	1.05	1.0 0.4	0.7 0.6	0.25	0.25	0.1	0.7 0.3	8° 0°
inches	0.069	0.010 0.004	0.057 0.049	0.01	0.019 0.014	0.0100 0.0075	0.20 0.19	0.16 0.15	0.050	0.244 0.228	0.041	0.039 0.016	0.028 0.024	0.01	0.01	0.004	0.028 0.012	

Notes

1. Plastic or metal protrusions of 0.15 mm maximum per side are not included.
2. Plastic or metal protrusions of 0.25 mm maximum per side are not included.

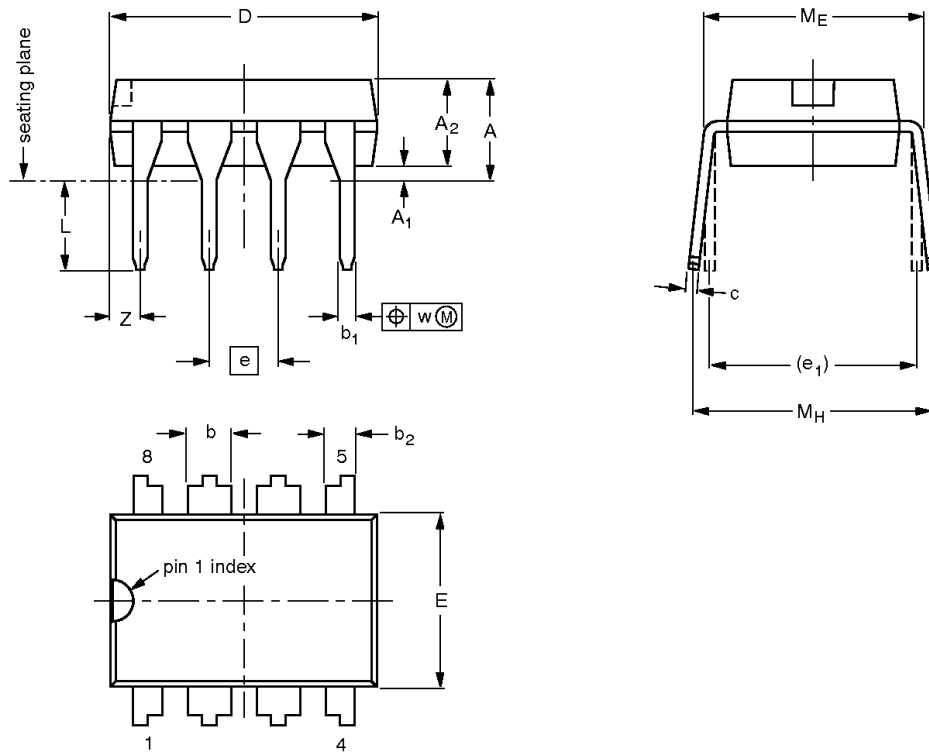
OUTLINE VERSION	REFERENCES				EUROPEAN PROJECTION	ISSUE DATE
	IEC	JEDEC	EIAJ			
SOT96-1	076E03	MS-012				97-05-22 99-12-27

Dual bi-directional bus buffer

P82B96

DIP8: plastic dual in-line package; 8 leads (300 mil)

SOT97-1



DIMENSIONS (inch dimensions are derived from the original mm dimensions)

UNIT	A max.	A ₁ min.	A ₂ max.	b	b ₁	b ₂	c	D ⁽¹⁾	E ⁽¹⁾	e	e ₁	L	M _E	M _H	w	Z ⁽¹⁾ max.
mm	4.2	0.51	3.2	1.73 1.14	0.53 0.38	1.07 0.89	0.36 0.23	9.8 9.2	6.48 6.20	2.54	7.62	3.60 3.05	8.25 7.80	10.0 8.3	0.254	1.15
inches	0.17	0.020	0.13	0.068 0.045	0.021 0.015	0.042 0.035	0.014 0.009	0.39 0.36	0.26 0.24	0.10	0.30	0.14 0.12	0.32 0.31	0.39 0.33	0.01	0.045

Note

1. Plastic or metal protrusions of 0.25 mm maximum per side are not included.

OUTLINE VERSION	REFERENCES				EUROPEAN PROJECTION	ISSUE DATE
	IEC	JEDEC	EIAJ			
SOT97-1	050G01	MO-001	SC-504-8			95-02-04 99-12-27

Dual bi-directional bus buffer

P82B96

REVISION HISTORY

Rev	Date	Description
_2	20030220	Product data (9397 750 11093); ECN 853-2241 29410 of 22 January 2003; supersedes data of 2001 Mar 06 (9397 750 08122) Modifications: <ul style="list-style-type: none">• Pin capacitance added
_1	20010306	Product data (9397 750 08122); ECN 853-2241 25758 of 2001 Mar 06.

Dual bi-directional bus buffer

P82B96

Data sheet status

Level	Data sheet status ^[1]	Product status ^[2] [3]	Definitions
I	Objective data	Development	This data sheet contains data from the objective specification for product development. Philips Semiconductors reserves the right to change the specification in any manner without notice.
II	Preliminary data	Qualification	This data sheet contains data from the preliminary specification. Supplementary data will be published at a later date. Philips Semiconductors reserves the right to change the specification without notice, in order to improve the design and supply the best possible product.
III	Product data	Production	This data sheet contains data from the product specification. Philips Semiconductors reserves the right to make changes at any time in order to improve the design, manufacturing and supply. Relevant changes will be communicated via a Customer Product/Process Change Notification (CPCN).

[1] Please consult the most recently issued data sheet before initiating or completing a design.

[2] The product status of the device(s) described in this data sheet may have changed since this data sheet was published. The latest information is available on the Internet at URL <http://www.semiconductors.philips.com>.

[3] For data sheets describing multiple type numbers, the highest-level product status determines the data sheet status.

Definitions

Short-form specification — The data in a short-form specification is extracted from a full data sheet with the same type number and title. For detailed information see the relevant data sheet or data handbook.

Limiting values definition — Limiting values given are in accordance with the Absolute Maximum Rating System (IEC 60134). Stress above one or more of the limiting values may cause permanent damage to the device. These are stress ratings only and operation of the device at these or at any other conditions above those given in the Characteristics sections of the specification is not implied. Exposure to limiting values for extended periods may affect device reliability.

Application information — Applications that are described herein for any of these products are for illustrative purposes only. Philips Semiconductors make no representation or warranty that such applications will be suitable for the specified use without further testing or modification.

Disclaimers

Life support — These products are not designed for use in life support appliances, devices, or systems where malfunction of these products can reasonably be expected to result in personal injury. Philips Semiconductors customers using or selling these products for use in such applications do so at their own risk and agree to fully indemnify Philips Semiconductors for any damages resulting from such application.

Right to make changes — Philips Semiconductors reserves the right to make changes in the products—including circuits, standard cells, and/or software—described or contained herein in order to improve design and/or performance. When the product is in full production (status 'Production'), relevant changes will be communicated via a Customer Product/Process Change Notification (CPCN). Philips Semiconductors assumes no responsibility or liability for the use of any of these products, conveys no license or title under any patent, copyright, or mask work right to these products, and makes no representations or warranties that these products are free from patent, copyright, or mask work right infringement, unless otherwise specified.

Contact information

For additional information please visit
<http://www.semiconductors.philips.com>. Fax: +31 40 27 24825

© Koninklijke Philips Electronics N.V. 2003
 All rights reserved. Printed in U.S.A.

Date of release: 02-03

For sales offices addresses send e-mail to:
sales.addresses@www.semiconductors.philips.com.

Document order number:

9397 750 11093

Let's make things better.